

[54] SUN SHIELD FOR AUTOMOBILES

[76] Inventor: Kuo-Hsin Wang, 140-77 Che-Lu
Chien, Pao-An Vill., Jen-Te Hsiang,
Tainan Hsien, Taiwan

[21] Appl. No.: 195,264

[22] Filed: May 18, 1988

[51] Int. Cl.⁴ E04H 15/06; B60J 7/20;
A45B 23/00

[52] U.S. Cl. 135/88; 135/98;
135/109; 296/136

[58] Field of Search 135/88, 98, 106, 109;
296/95 R, 136

[56] References Cited

U.S. PATENT DOCUMENTS

3,044,477	7/1962	Higgins	135/98
3,213,868	10/1965	Forbes	135/98
3,870,061	3/1975	Lowery	135/88
3,957,301	5/1976	Huber	296/95 R
4,684,165	8/1987	Becker	296/136

FOREIGN PATENT DOCUMENTS

2112638 7/1983 United Kingdom 135/98

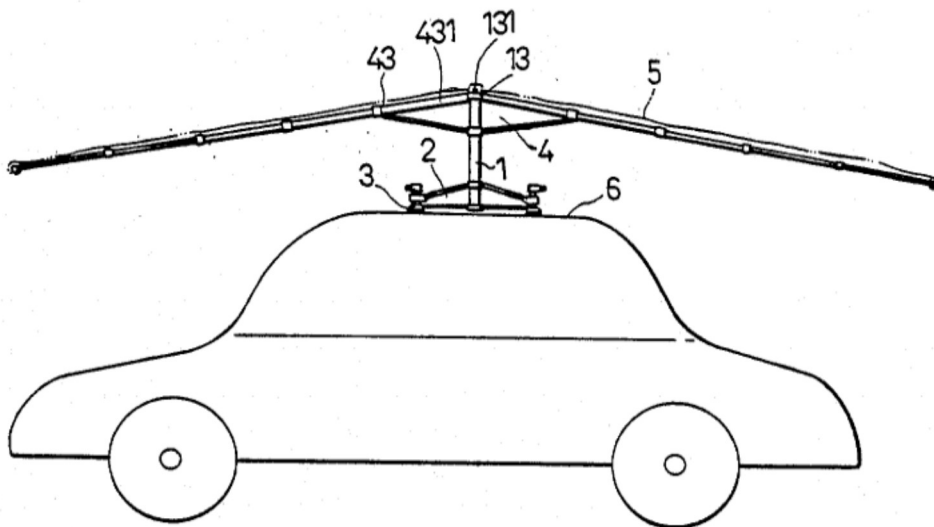
Primary Examiner—J. Karl Bell

Attorney, Agent, or Firm—Andrus, Scales, Starke &
Sawall

[57] ABSTRACT

This invention provides a sun shield for automobiles. The sun shield has a collapsible framework for supporting a flexible cloth. The framework has at least three legs radially and isometrically extended from the framework. In the free end of each leg there is a sucker adapted to attach to the roof of an automobile. Therefore, the cloth can be easily mounted above an automobile to shade it from the unpleasant and damaging effects of the sun's rays, and it can also be easily detached from the roof of the automobile and folded into the trunk of the automobile.

4 Claims, 6 Drawing Sheets



[54] ANIMAL EAR PROTECTORS

[76] Inventor: James D. Williams, 3700 Westfall Dr., Encino, Calif. 91436

[21] Appl. No.: 9,776

[22] Filed: Feb. 6, 1979

[51] Int. Cl.³ A01K 29/00

[52] U.S. Cl. 119/96

[58] Field of Search 119/96, 104; 54/71, 54/79, 80

[56] References Cited

U.S. PATENT DOCUMENTS

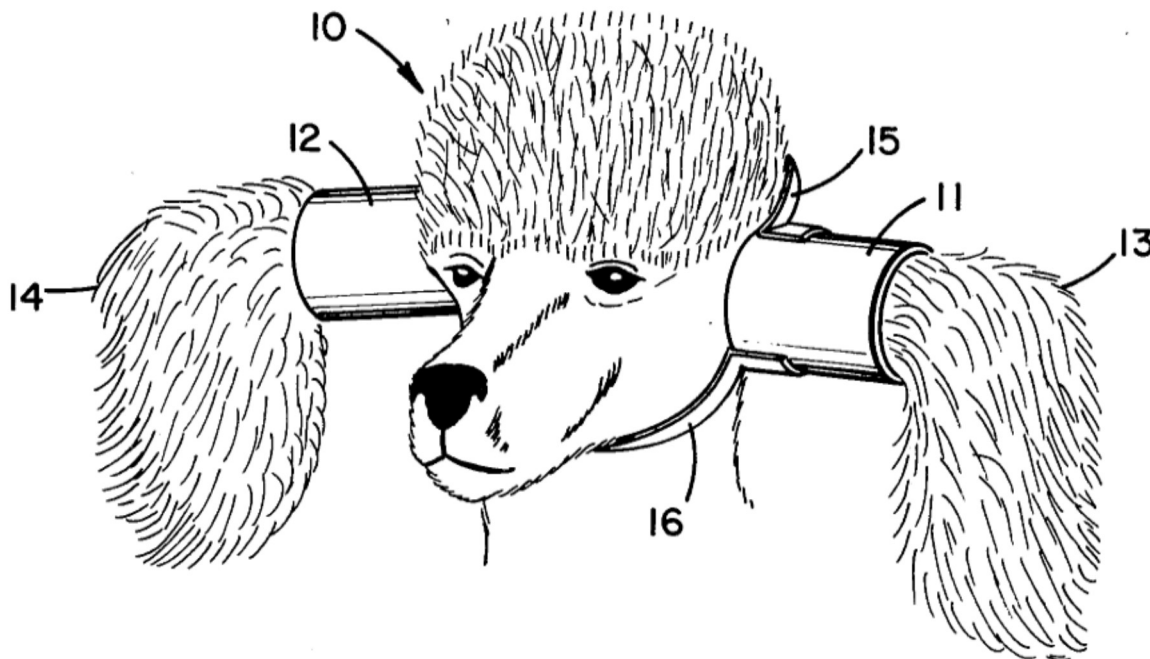
3,924,388	12/1975	Morrison	54/80
3,942,306	3/1976	Kulka	54/80

Primary Examiner—Gene Mancene
Assistant Examiner—Robert P. Swiatek
Attorney, Agent, or Firm—Spensley, Horn, Jubas & Lubitz

[57] ABSTRACT

This invention provides a device for protecting the ears of animals, especially long-haired dogs, from becoming soiled by the animal's food while the animal is eating. The device provides a generally tubular shaped member for containing and protecting each ear of the animal, and a member to position the tubular member and animal ears away from the mouth and food of the animal while it is eating.

1 Claim, 4 Drawing Figures





US 20050028238A1

(19) **United States**

(12) **Patent Application Publication** (10) **Pub. No.: US 2005/0028238 A1**

Tobin et al.

(43) **Pub. Date: Feb. 10, 2005**

(54) **SUN MASK TOWEL**

Publication Classification

(76) Inventors: **Joan Mullen Tobin**, Arlington Heights, IL (US); **Katharine Born McAndrews**, Barrington, IL (US)

(51) **Int. Cl.⁷** **A42B 1/18**

(52) **U.S. Cl.** **2/11; 2/206**

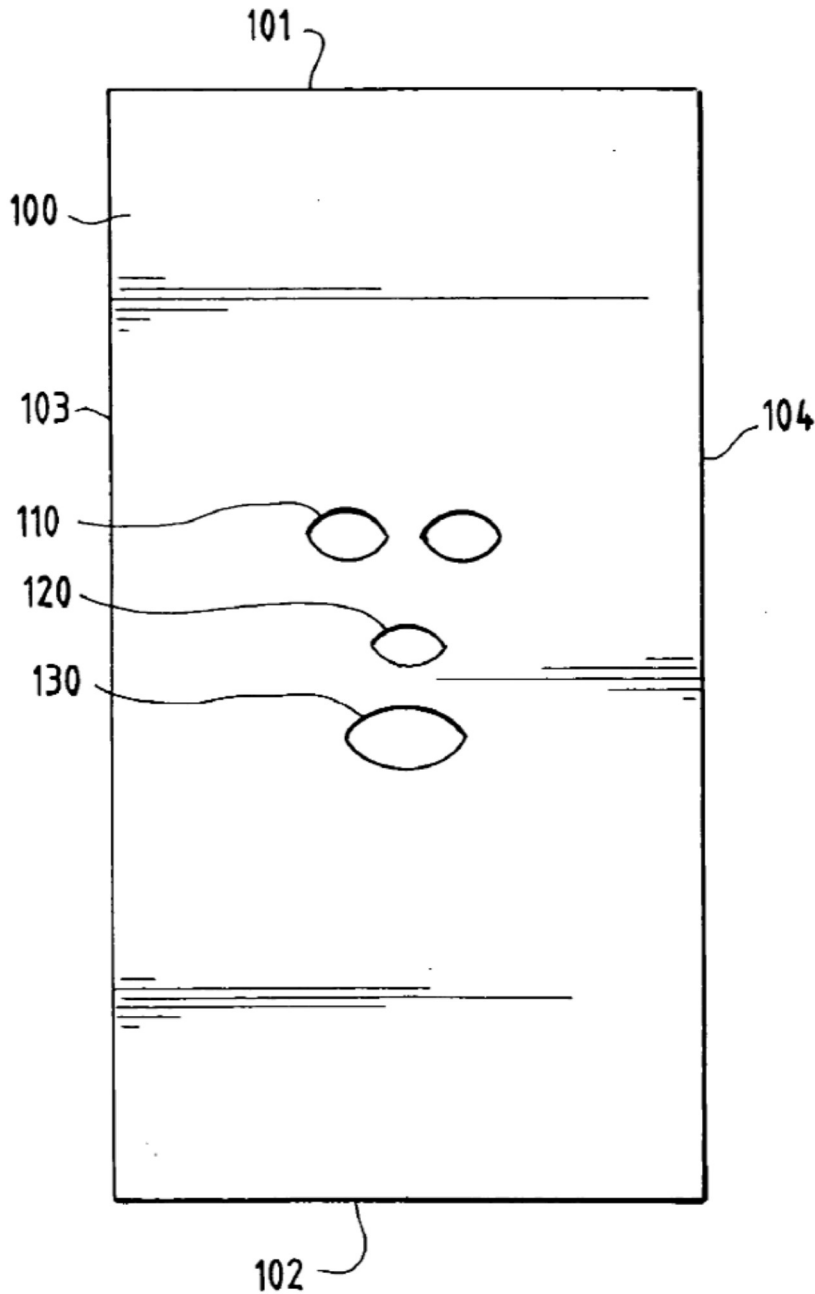
Correspondence Address:
MCANDREWS HELD & MALLOY, LTD
500 WEST MADISON STREET
SUITE 3400
CHICAGO, IL 60661

(57) **ABSTRACT**

A sun mask towel is provided, made from a planar section of fabric for blocking or reflecting the ultraviolet rays of the sun. By including eye, nose, and mouth slits, the sun mask towel allows users see, speak, and breathe easily. The sun mask towel effectively shields a user's face, head, neck, and in one embodiment, a user's entire body from the harmful rays of the sun. Further, the sun mask towel is easy to use and easy to carry.

(21) Appl. No.: **10/636,836**

(22) Filed: **Aug. 6, 2003**





US005163447A

United States Patent [19]

[11] Patent Number: **5,163,447**

Lyons

[45] Date of Patent: **Nov. 17, 1992**

[54] **FORCE-SENSITIVE, SOUND-PLAYING CONDOM**

[76] Inventor: **Paul Lyons**, 295 Elm St., Southbridge, Mass. 01550-3009

[21] Appl. No.: **728,607**

[22] Filed: **Jul. 11, 1991**

[51] Int. Cl.⁵ **A61F 6/04**

[52] U.S. Cl. **128/844; 128/883; 446/220**

[58] Field of Search 128/842, 844, 885, 886, 128/883, 884; 604/347-353; 446/220-226, 404

[56] **References Cited**

U.S. PATENT DOCUMENTS

494,436 3/1893 Orth 128/883
745,264 11/1903 Todd 128/886 X

FOREIGN PATENT DOCUMENTS

680088 10/1952 United Kingdom 128/886
2036560 7/1980 United Kingdom .

OTHER PUBLICATIONS

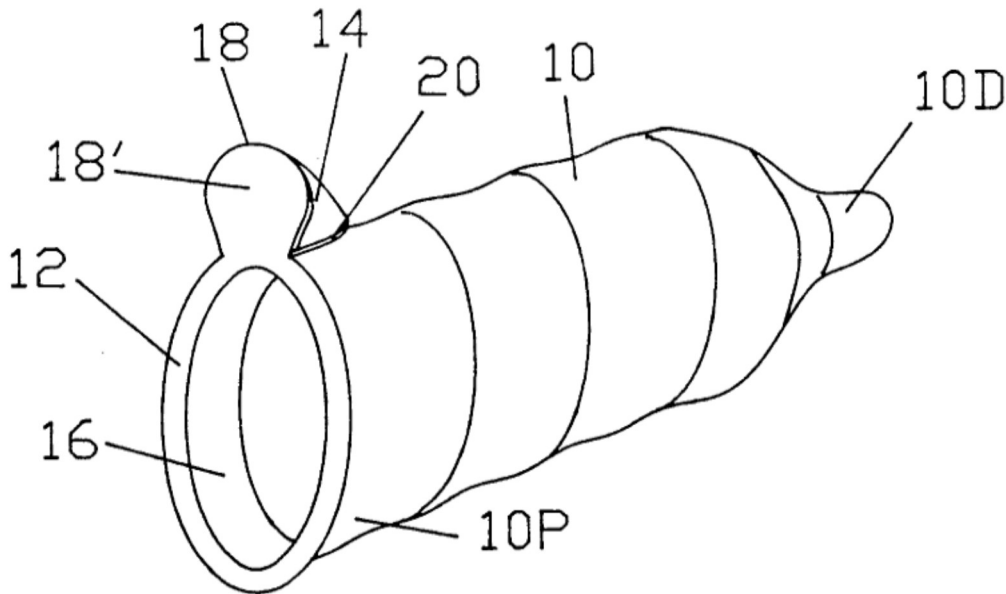
Frederick's of Hollywood, catalog, vol. 70, Issue 356, Version 0600, ©1990, p. 68: "Wedding Surprise".

Primary Examiner—Robert A. Hafer
Assistant Examiner—David J. Kenealy
Attorney, Agent, or Firm—David Pressman

[57] **ABSTRACT**

A force-sensitive sound-playing condom comprising: a condom body (10) having a distal end and a proximal end, and a miniature force-sensitive sound-playing unit (14) attached to the condom at its proximal end. The proximal end of the condom is made in the form of a semirigid rim (12) having a lower part with an opening (16) coinciding with the cavity of the condom, and an upper part extending radially upwardly from the body of the condom and supporting the sound-playing unit (14). The latter contains a chip-controlled piezoelectric sound transducer which plays a melody or voiced message when during intercourse the contacts (28 and 30) of the sound-playing unit (14) are closed and the transducer is activated.

19 Claims, 1 Drawing Sheet





US 20030075208A1

(19) **United States**

(12) **Patent Application Publication**
McMullin et al.

(10) **Pub. No.: US 2003/0075208 A1**
(43) **Pub. Date: Apr. 24, 2003**

(54) **BEERBRELLA**

(57)

ABSTRACT

(76) Inventors: **Mason Schott McMullin**, St. Louis, MO (US); **Robert Bell**, Alexandria, VA (US); **Mark Andrew See**, Alexandria, VA (US)

Correspondence Address:
Robert Platt Bell, Registered Patent Attorney
8033 Washington Road
Alexandria, VA 22308 (US)

(21) Appl. No.: **09/981,966**

(22) Filed: **Oct. 19, 2001**

Publication Classification

(51) **Int. Cl.⁷** **E04G 5/06; A47B 96/06**
(52) **U.S. Cl.** **135/16; 248/231.81**

The present invention provides a small umbrella ("Beer-brella") which may be removably attached to a beverage container in order to shade the beverage container from the direct rays of the sun. The apparatus comprises a small umbrella approximately five to seven inches in diameter, although other appropriate sizes may be used within the spirit and scope of the present invention. Suitable advertising and/or logos may be applied to the umbrella surface for promotional purposes. The umbrella may be attached to the beverage container by any one of a number of means, including clip, strap, cup, foam insulator, or as a coaster or the like. The umbrella shaft may be provided with a pivot to allow the umbrella to be suitably angled to shield the sun or for aesthetic purposes. In one embodiment, a pivot joint and counterweight may be provided to allow the umbrella to pivot out of the way when the user drinks from the container.

